

WKP-1

Value Series Wall Keypanel

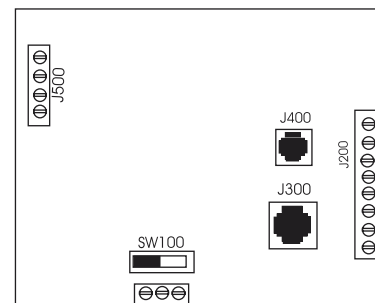
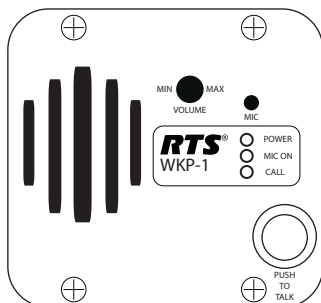
The WKP-1 keypanel is the industrial keypanel from RTS. RTS has refined the look of multi-location security with this keypanel. It offers simplified operation and integrates seamlessly with RTS digital intercom systems. The physical size and weather-resistant design provides a flexible and robust intercom system. The GPI relay switch lets the user set up door latching, unlatching and other related actions by pressing a single button from any panel in the system. The WKP-1 fits a standard US dual gang electrical box.



Features

- Environmental, the unit sustains exposure to rain, snow, and direct sun, allowing it to work in all environments. It operates in temperatures ranging from -30°F (-34°C) to 120°F (49°C). The mechanical design of the anodized, aluminum front panel and non-removable volume control knob provide a vandal resistant panel.
- The WKP-1 has a local GPI relay 4-pin terminal contact closure to give the user the functionality of latching, unlatching doors or other related functions, with the press of a button.
- Front Panel single button interface for push to talk operation. There is a built-in waterproof speaker for listening capabilities. The panel has three (3) LEDs used to indicate power on, microphone on, and incoming call signaling.
- The WKP-1 keypanel has a built-in waterproof Electret microphone. The microphone can be hot mic enabled or disabled through the use of a dip switch setting.
- Key assignments, GPIO operation, and panel listen/muting functions are set via AZedit software for the intercom matrix.
- Vandal and weather-resistant front panel volume controls adjusts listen level to the internal speaker. An internal limit adjustment sets the lower level of minimum volume achievable.
- Audio processing, an integral limiter/compressor insures maximum intelligibility of the spoken word. The compressor uses the RTS standard compression design.
- Dual power, the keypanel can be powered locally or remotely via a CAT-5 connection from the matrix.

Line Drawing



Specifications

Matrix

Input/Output: 8dBu nominal, 16dBu (max.)

Panel Mic Input

Mic Type: Electret Condenser

Nominal Level: -44dB \pm 3dBu

Directivity: Omni Directional

Speaker

Output: 3 Watts

Power Requirements

15VDC 250mA for local power

24VDC up to 500mA for remote power at distances of 300ft–1000ft

Connections

RJ-45 for use with standard CAT-5 cabling

RJ-12 for use with RTS Matrix standard 3-pair cabling

Terminal strip for use with unterminated cabling

Weight

0.76lbs (0.35kg)

Order Information

WKP-1 • WKP-1 • Single-channel industrial keypanel

WKP-1 BOP • WKP-1 BOP • 8-port Breakout and power distribution panel

The specification information is preliminary and is subject to change without notification.
Brand names mentioned are the property of their respective companies.