

NXL-IP55

IP Live Production Unit

SONY
make.believe



Next-generation IP Network Technology Ushers In a New Era of Live Multi-camera Production

Sony proudly introduces a powerful IT solution for HD live production with the NXL-IP55 IP Live Production Unit, designed to alleviate users from the cumbersome task of arranging a multitude of cables between two locations.

For use in multiple-camera live productions, the NXL-IP55 allows you to transmit up to four video streams (three downstream and one upstream, or two downstream and two upstream) in less than one field delay time, even over a local area network (LAN).

As well as video and audio signals, the NXL-IP55 transmits all essential signals such as tally, GPIO, intercom and even genlock signals through a single LAN cable. In this way, the NXL-IP55 achieves a never-seen-before IP live production system that provides far greater flexibility for professional live operation.

Live Production Made Simple with Widely Used IP Technology

Sony is taking live production into a new era with the all-new NXL-IP55.

Broadcast Quality

The NXL-IP55 utilizes Sony's unique technologies so that multi-channel video and audio can be transmitted via a 1-Gbps link, ensuring broadcast-quality video and audio with very low latency of less than one field (1/2 frame)* of video signals.

* It depends on the network condition.

Multiple Inputs & Outputs

This new system can handle up to four HD-SDI video sources (three downstream and one upstream, or two downstream and two upstream) with a maximum of 10 (eight upstream, two downstream) audio channels, including intercom. In addition to these essential signals, the NXL-IP55 also transports tally and GPIO (General Purpose Input and Output) signals on the same link. The NXL-IP55 also has a genlock function, which allows all of the video sources to be synchronized over an IP network.

Flexibility

By utilizing standard IP technology, the remote production environment can be drastically simplified compared to a conventional system with coaxial cables. Another advantage of using IP technology is flexibility. The NXL-IP55 can transmit all signals over a LAN infrastructure, enabling signals to be transmitted miles away. Also, the compact design of the NXL-IP55 helps you to take live production capabilities everywhere you need.

The NXL-IP55 provides powerful functions to simplify your production.

IP Transmission

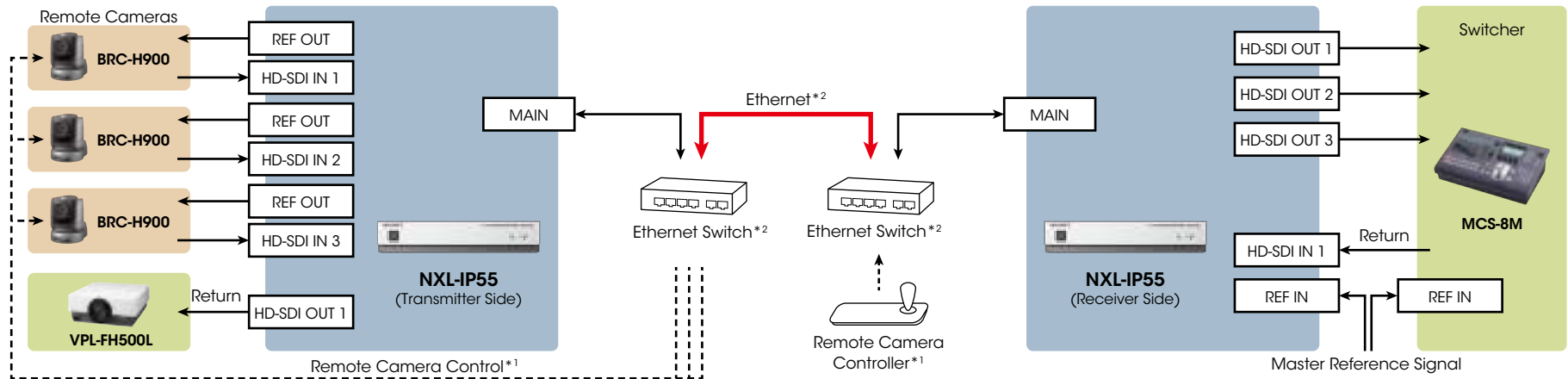


KEY FEATURES

Available signals:

- Up to four HD-SDI channels (three downstream and one upstream, or two downstream and two upstream signals)
- Up to ten channels of audio + intercom (up to eight upstream signals)
- Tally signal: three red tally signals and three green signals; direction of transition can be selected by color
- GPIO: eight channels; direction of transition can be selected by each four-channel

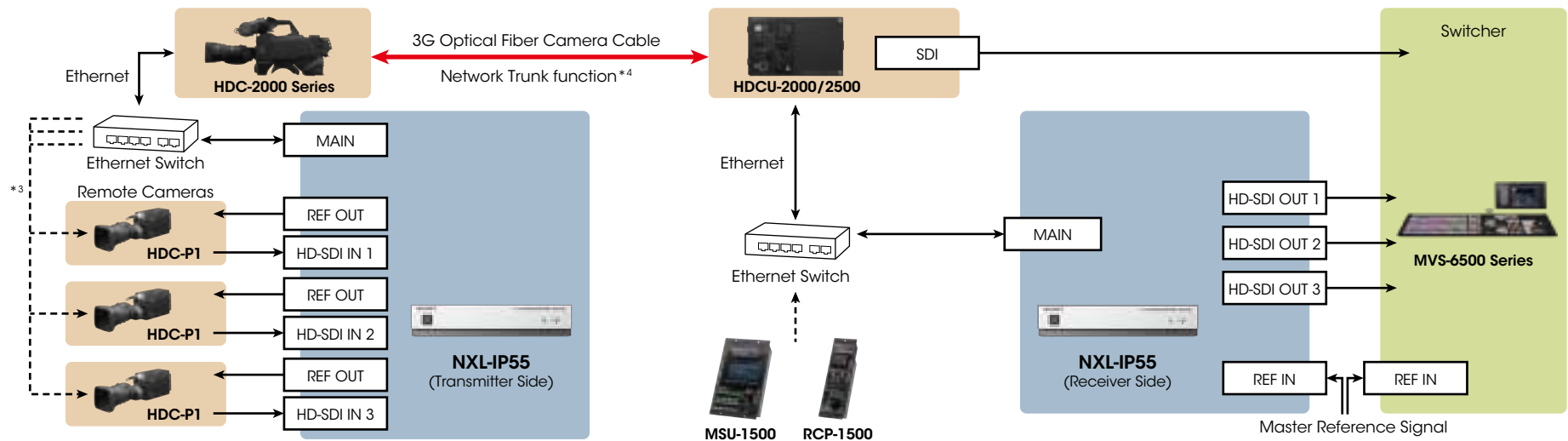
Configuration Example: 3+1 Mode



*1 Control of remote cameras over an IP cable will be available in 2012.

*2 An optical fiber cable can be used for long-distance transmission when Ethernet switches are configured in the system.

Configuration Example: Combination with HDC-2000 Series' Network Trunk function



*3 Control of remote cameras over an IP cable will be available in 2012.

*4 Network Trunk is a function of HDC/HDCU-2000 Series to transmit up to 1 Gbps IP data between a camera and a CCU.

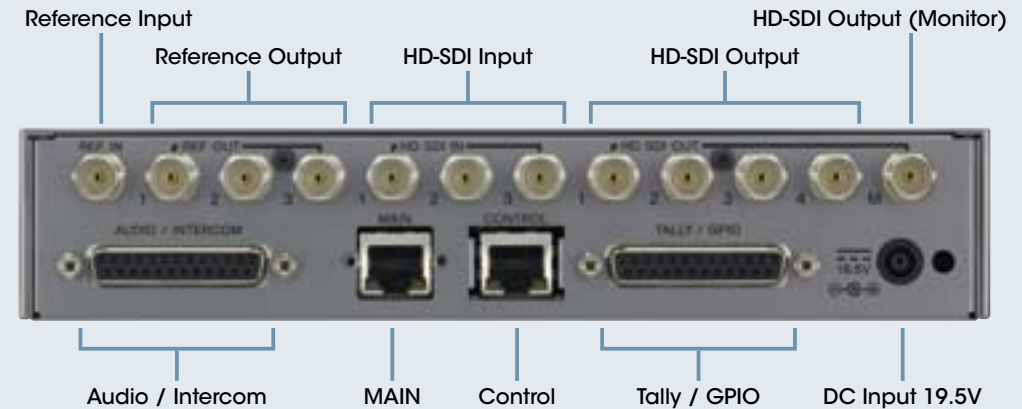
SPECIFICATIONS

NXL-IP55	
General	
Power requirements	DC 19.5 V / 2.2 A
Operating temperature	5°C to 40°C (41°F to 104°F)
Storage temperature	-20°C to +60°C (-4°F to +140°F)
Dimensions (W x H x D)	214 x 42.2 x 313 mm (8 2/5 x 1 3/5 x 12 1/3 inches, 1U rack-mount size)
Mass	2.5 kg (5 lb 8.2 oz)
Supporting format	1920 x 1080/59.94i, 50i, 1280 x 720/59.94p, 50p
Input / Output	
Reference input	BNC (x1) HD: Tri-level sync, 0.6 Vp-p, 75Ω SD: Sync (NTSC: 0.286 Vp-p, 75Ω / PAL: 0.3 Vp-p, 75Ω)
HD-SDI input	BNC (x3) SMPTE 292M
Reference output	BNC (x3) HD: Tri-level sync, 0.6 Vp-p, 75Ω SD: Sync (NTSC: 0.286 Vp-p, 75Ω / PAL: 0.3 Vp-p, 75Ω)
HD-SDI output	BNC (x5) SMPTE 292M
Audio / Intercom	D-sub 25-pin (x1) Audio: Line level, Max. 6ch Input or Output Intercom: 4 W or 2 W
Tally / GPIO	D-sub 25-pin (x1) Tally: Red x 3 and Green x 3, 12 V or contact GPIO: 8ch (Tx or Rx at each 4ch)
Main	RJ-45 (x1) 1000BASE-T for signal transmission
Control	RJ-45 (x1) 100BASE-TX / 10BASE-T for setting up NXL-IP55
DC input	19.5 V
Supplied accessories	
Operating Instructions, Power Plug Clamp, AC Adaptor	

Front panel



Rear panel



Distributed by

MK10969V1YIT12AUG

©2012 Sony Corporation. All rights reserved.
 Reproduction in whole or in part without written permission is prohibited.
 Features, design, and specifications are subject to change without notice.
 The values for mass and dimension are approximate.
 "SONY" and "make.believe" are trademarks of Sony Corporation.

The NXL-IP55 is produced at Sony EMCS Corporation's Tokai Technology Center, which has received ISO14001, the Environmental Management System certification.

