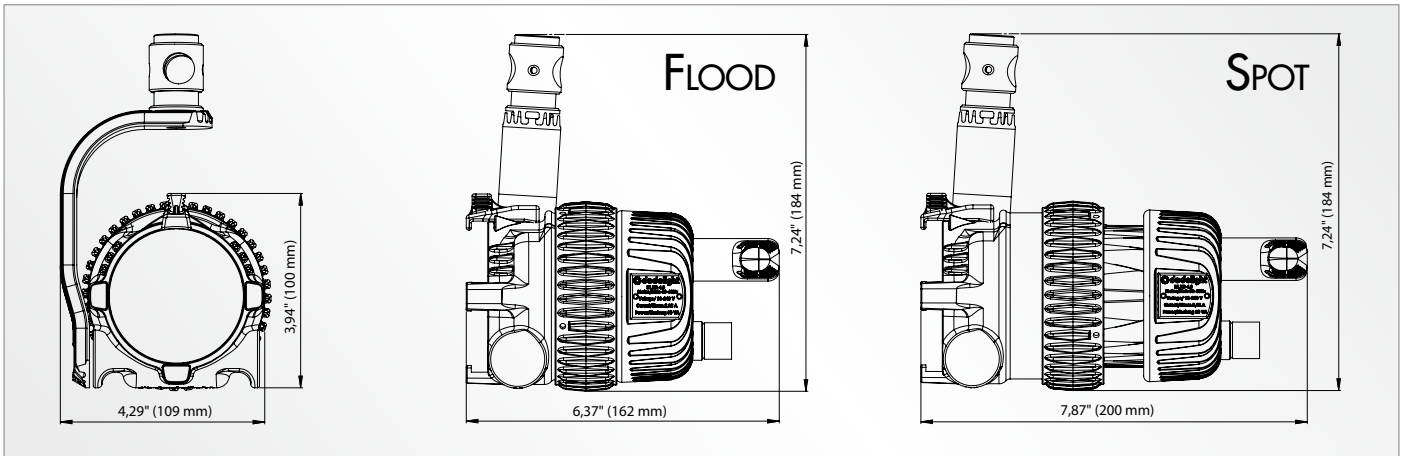


SERIES LED 40W



DLED4-D, DLED4-T, DLED4-BI LED Light Head 40 W



FOCUSING LIGHT HEAD: DLED4-D, DLED4-T, DLED4-BI

Focus Range (Intensity Range)	60-4° (1:20) with optional aspheric wide-angle attachment: 85-54°
Focus Control	One complete turn on focus ring
Power	40W
Mounting	5/8" (16 mm) receptacle and 1 1/8" (28 mm) stud
Operating Position	Any
Tilt Control	Permanent friction
Accessory Holder	3" (76 mm) diameter
Safety	Protection Class III, SELV, IP40
Cooling	Passive (no fan)
UV	No UV radiation
Weight	2.9 lb (1,300 g)
Size	W: 4.29" (109 mm) L: (flood): 6.37" (162 mm) L: (spot): 8.87" (200 mm) H: 3.94" (100 mm)

PHOTOMETRICS: DLED4-D Daylight LED Light Head

Distance	Meter	1	2	3	4	5	10
	Feet	3'	6'	9'	12'	15'	30'
Flood	Lux	1500	375	167	94	60	
	Foot Candle	139	35	15	9	5,6	
Medium	Lux	2800	700	310	175	112	
	Foot Candle	260	65	29	16	10,4	
Spot	Lux	36000	9000	4000	2250	1440	270
	Foot Candle	3346	836	371	209	134	25

PHOTOMETRICS: DLED4-T Tungsten LED Light Head

Distance	Meter	1	2	3	4	5	10
	Feet	3'	6'	9'	12'	15'	30'
Flood	Lux	1030	258	114	64	41	
	Foot Candle	96	24	11	6	4	
Medium	Lux	2250	563	250	141	90	
	Foot Candle	563	52	23	13	8,4	
Spot	Lux	18400	4600	2044	1150	736	
	Foot Candle	1710	428	190	107	68	

PHOTOMETRICS: DLED4-BI Bicolor LED Light Head (daylight)

Distance	Meter	1	2	3	4	5	10
	Feet	3'	6'	9'	12'	15'	30'
Flood	Lux	1330	336	148	83		
	Foot Candle	124	31	14	8		
Medium	Lux	2128	532	236	133	85	
	Foot Candle	198	49	30	12	8	
Spot	Lux	10100	2525	1122	631	404	
	Foot Candle	939	235	104	59	38	

Bicolor in tungsten function ~ 25 % lower output



Dedo Weigert Film GmbH

Karl-Weinmair-Straße 10
80807 Munich / Germany

Tel. +49 89 - 356 16 01
Fax +49 89 - 356 60 86

info@dedoweigertfilm.de
www.dedoweigertfilm.de