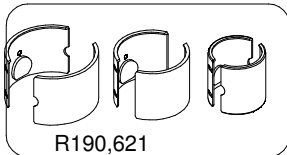
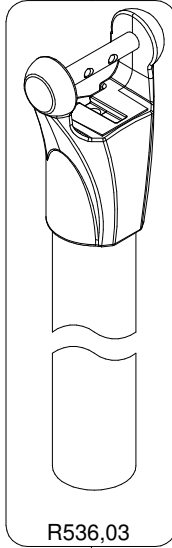
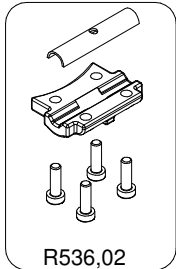
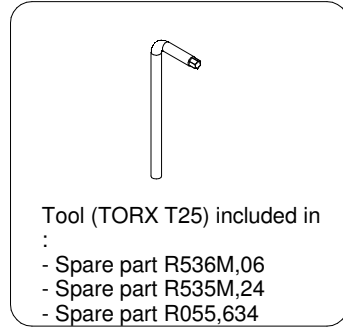
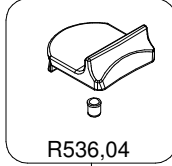
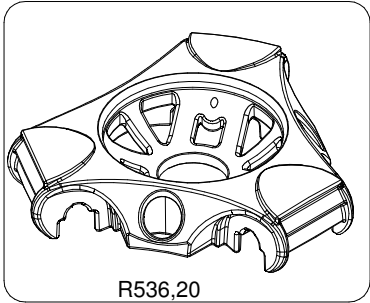
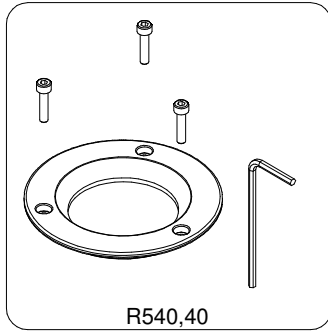


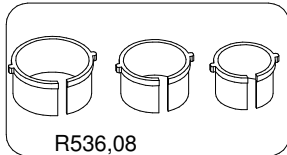


**ART. 536**

For serial number  
from A1248001



TO BE MOUNTED  
ON TUBES



TO BE MOUNTED  
ON TUBES

